



Delivery rate up to 30 l/min  
 Delivery head up to 4.9 (7.1) m wc  
 No shaft seal required  
 For aggressive and neutral liquids

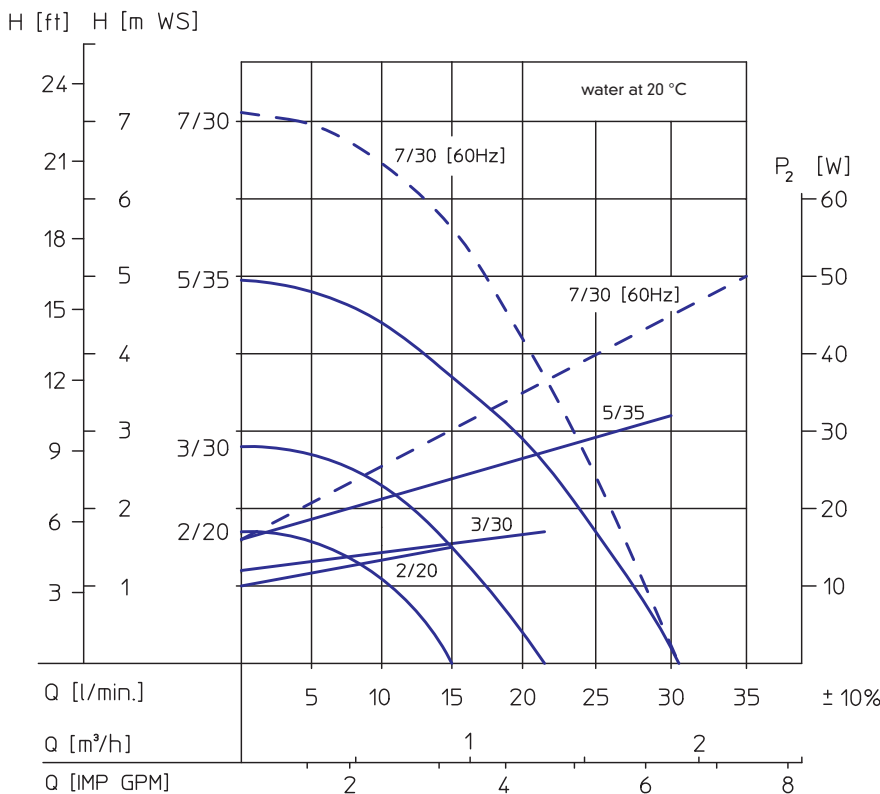
Made of PP, PVDF and stainless steel

Protection class IP 55

Figures in brackets ( ) apply to 60 Hz pump types.

Magnetically coupled centrifugal pumps of type 1 are non-self-priming pumps that operate in horizontal position and are made in monobloc design. A magnetic coupling connects the pump to the motor and transmits the power of the motor to the impeller.

### PERFORMANCE CHARTS



### STANDARD DESIGN

Housing, impeller and impeller magnet coating are made of glass-fibre re-inforced PP plastic or PVDF or stainless steel. Sleeve bearings, starting rings and centering shaft are made of 99.7 % pure oxide ceramic, and the O-ring sealing of the housing is made of either FKM or EPDM. (See table on page 7 for other materials.)

Speed at 50 Hz = 2850 min<sup>-1</sup>  
 Speed at 60 Hz = 3420 min<sup>-1</sup>

Please indicate the voltage and frequency desired when placing your order.



## NON-SELF-PRIMING RM – TYPE 1

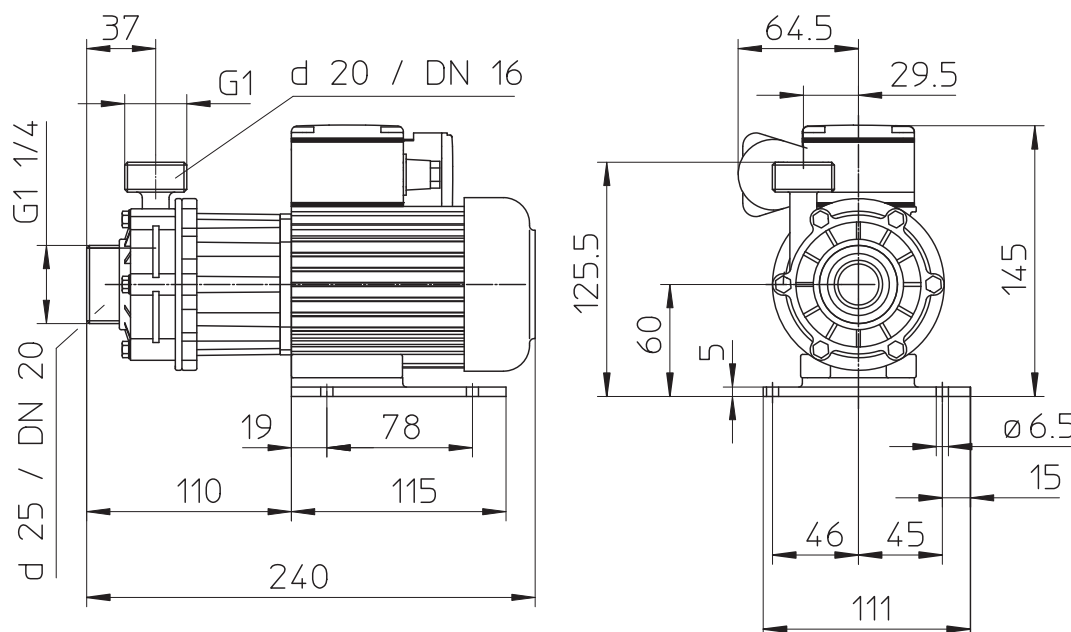
### TECHNICAL DATA

size	2/20	3/30	5/35	7/30*
maximum delivery rate [l/min]	15	20	30	30
maximum delivery head [m wc]	1.7	2.8	4.9	7.1
maximum density [g/cm <sup>3</sup> ] <sup>***</sup>	2.5	2.5	1.7	1.25
motor capacity at 50 Hz [kW]	0.060	0.060	0.060	–
motor capacity at 60 Hz [kW]	0.072	0.072	0.072	0.072
voltage**	230 V ac or 230/400 V three-phase current			
current rating	0.7 A with alternating current or 0.5/0.29 A with three-phase current			
protection class	hose-proof according to IP 55			
ports	suction side G 1 1/4		discharge side G 1	
recommended maximum flow rate	suction side 1 m/s		discharge side 3 m/s	
material	PP	PVDF	stainless steel	
maximum temperature	80 °C	95 °C	100 °C	
maximum system pressure at 20 °C	1.0 bar	2.0 bar	8.0 bar	
weight	2.7 kg	2.8 kg	3.4 kg	

\* Available only in 60 Hz.

\*\* Other voltages available upon request.

\*\*\* With maximum volume rate of flow. To deliver liquids with a higher relative density, the pump has to be throttled (see the following performance chart).



Position of the terminal box: standard position is on top (if you need it mounted on the right or the left, please indicate when placing your order).

Position of the discharge port: vertical position is standard (differing positions at 12 x 30° are possible, please indicate when placing your order).