



Self-priming
side-channel pump

Delivery rate up to
16 (21) l/min

Delivery head up to
39 (54) m wc

No shaft seal required

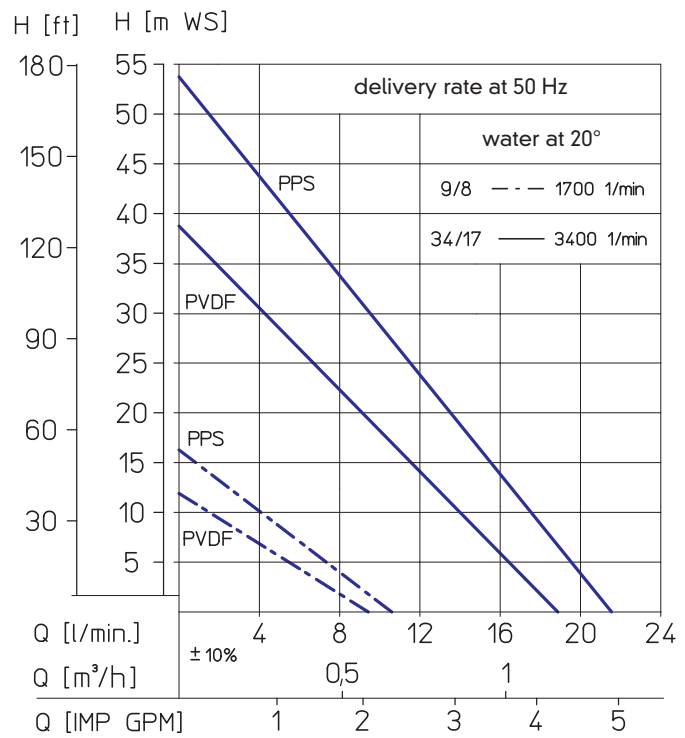
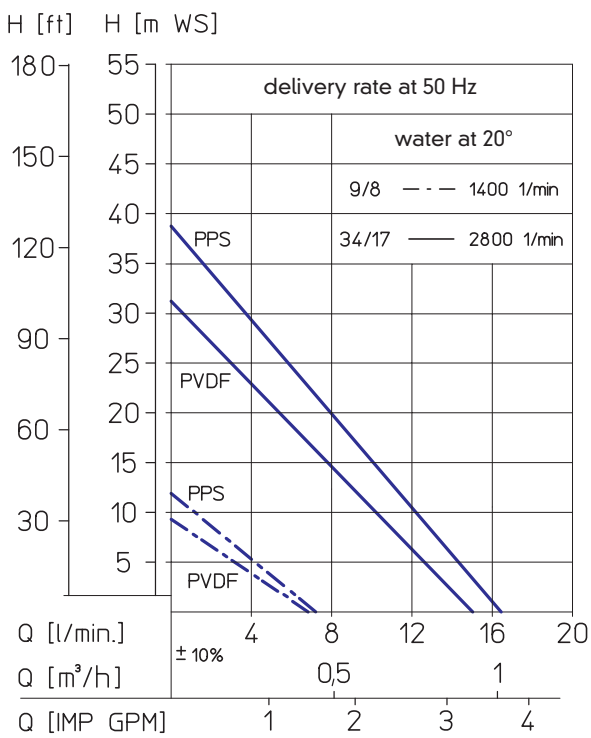
For aggressive and neutral liquids

Made of PPS or PVDF

Protection class IP 55

Figures in brackets ()
apply to 60 Hz pump types.

PERFORMANCE CHARTS

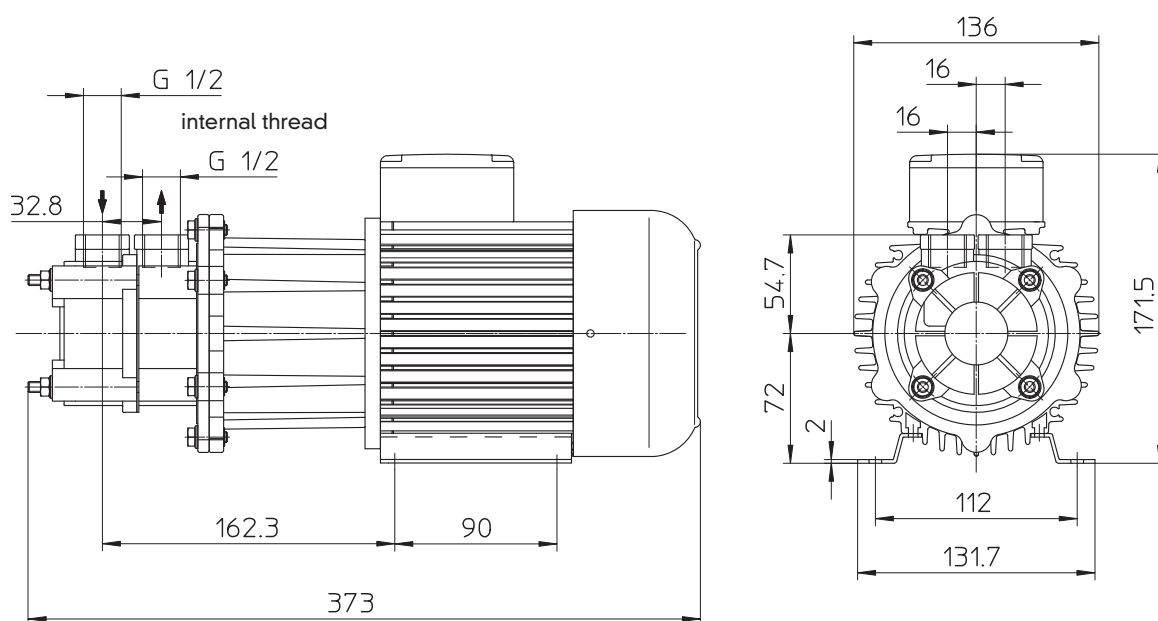




TECHNICAL DATA

size	9/8						34/17					
design	PPS	PVDF	PPS	PVDF	PPS	PVDF	PPS	PVDF	PPS	PVDF	PPS	PVDF
maximum delivery rate [l/min]	7	7	7	7	7	7	16	15	16	15	16	15
maximum delivery head [m wc]	12	10	12	10	12	10	39	31	39	31	39	31
max. suction head at 20 °C [m wc]	3.0	1.0	3.0	1.0	3.0	1.0	7.0	1.0	7.0	1.0	7.0	1.0
maximum temperature [°C]	100	80	100	80	100	80	100	80	100	80	100	80
maximum density [g/cm ³]	1.55		1.35		2.0		1.55		1.35		2.0	
motor capacity at 50 Hz [kW]	0.37		0.37		0.55		0.37		0.37		0.55	
motor capacity at 60 Hz [kW]	0.44		0.44		0.66		0.44		0.44		0.66	
current rating (400 V) [A]	0.7		0.7		1.0		1.0		1.0		1.5	
rated speed at 50 Hz [min ⁻¹]	1400		1400		1400		2800		2800		2800	
rated speed at 60 Hz [min ⁻¹]	1700		1700		1700		3400		3400		3400	
weight approx. [kg]	8.5		8.0		9.0		7.5		7.0		8.0	
voltage**	230 V ac or 230/400 V three-phase current											
protection class	hose-proof according to IP 55											
ports	suction side IG 1/2						discharge side IG 1/2					
material (design)	PPS						PVDF					
housing section	PPS						PVDF					
impeller	PPS						oxide ceramic 99,7 %					
lantern	PP						PP					
inner magnet coating	PPS or PP						PVDF					
centering shaft, starting ring	oxide ceramic 99,7 %						oxide ceramic 99,7 %					
sleeve bearings	oxide ceramic 99,7 %						oxide ceramic 99,7 %					

** Other voltages available upon request.



Position of the terminal box: standard position is on top (if you need it mounted on the right or the left, please indicate when placing your order).