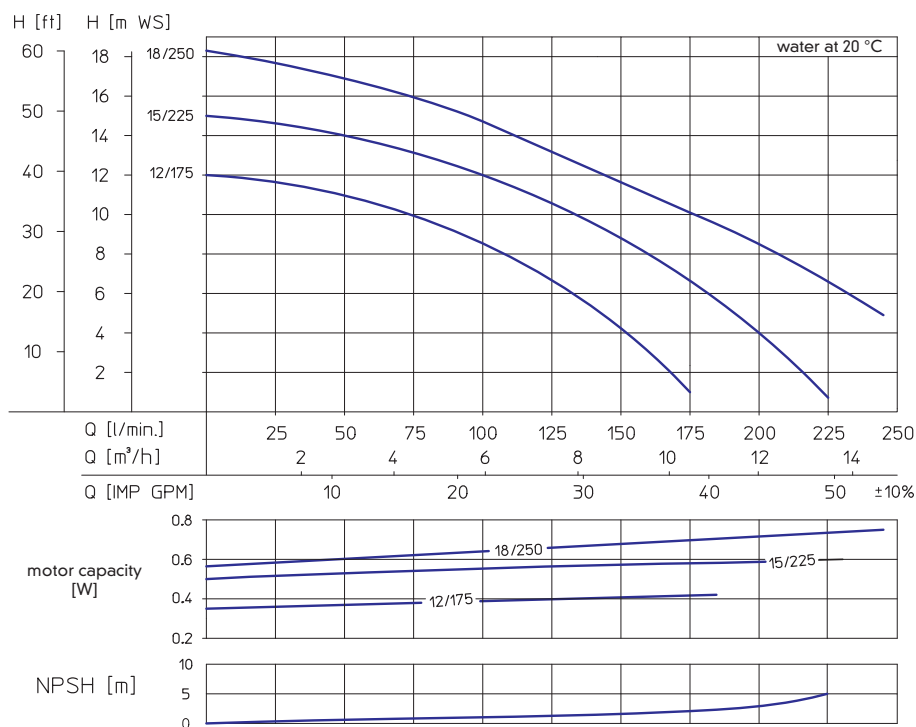




- Centrifugal pump with integrated priming tank
- Delivery rate up to 240 l/min
- Delivery head up to 18 m wc
- No shaft seal required
- For aggressive and neutral liquids
- Made of PP or PVDF
- Protection class IP 55

Magnetically coupled centrifugal pumps of the RMB type are self-priming pumps with integrated priming tanks. They are made of plastic, built in monobloc design and operate in horizontal position. A magnetic coupling connects the pump to the motor and transmits the power of the motor to the impeller.

## PERFORMANCE CHARTS



## STANDARD DESIGN

Housing, impeller and impeller magnet coating are made of glass-fibre reinforced PP plastic or PVDF. Sleeve bearings, starting rings and centering shaft are made of 99.7% pure oxide ceramic, and the O-ring sealing of the housing is made of either FKM or EPDM. (See table on page 7 for other materials.)

# SELF-PRIMING RMB TYPE 3.1

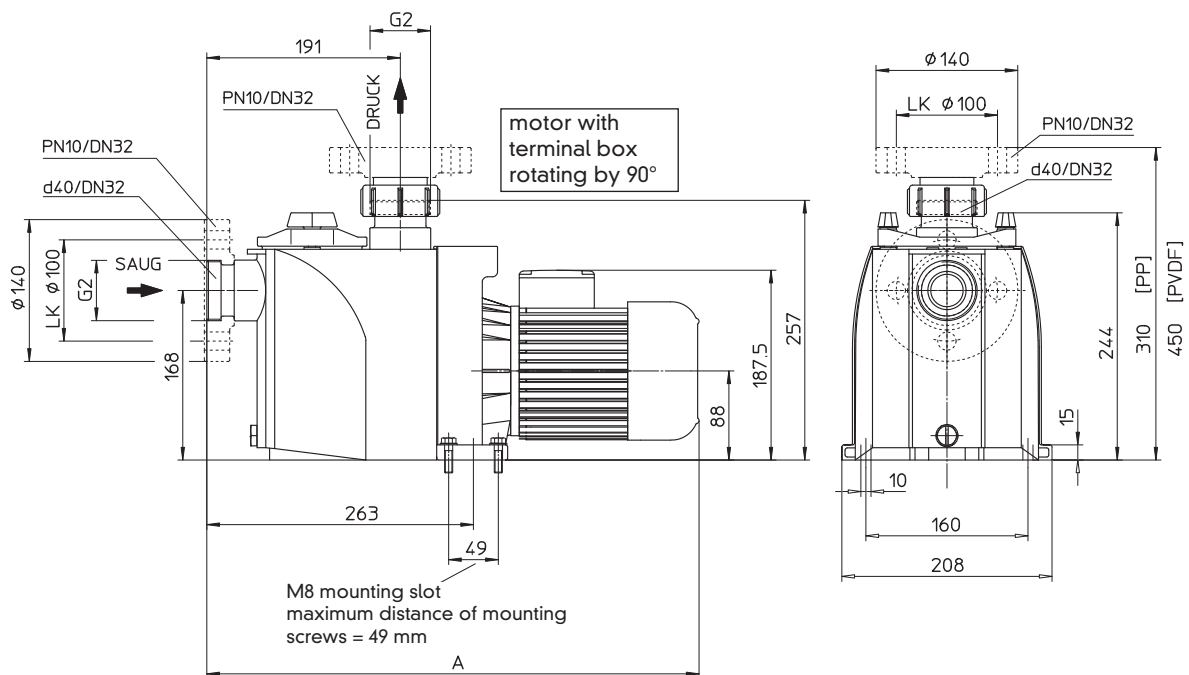


## TECHNICAL DATA

size	12/175		15/225	18/250
maximum delivery rate [l/min]	175		225	240
maximum delivery head [m wc]	12		15	18
max. suction head at 20 °C [m wc]	3.0		3,5	1.0
maximum density [g/cm <sup>3</sup> ] <sup>***</sup>	1.3	1.8	1.2	1.0
motor capacity at 50 Hz [kW]	0.55	0.75	0.75	0.75
motor capacity at 60 Hz [kW]	0.66	0.9	0.9	0.9
current rating (400 V) [A]	1.6	2.2	2.2	2.2
rated speed at 50 Hz [min <sup>-1</sup> ]	2800	2800	2800	2800
rated speed at 60 Hz [min <sup>-1</sup> ]	3400	3400	3400	3400
parts suction side	G2	G2	G2	G2
ports discharge side	G2	G2	G2	G2
weight approx. [kg]	10	13	13	13
dimension A [mm]	490	500	500	500
voltage**	230 V ac or 230/400 V three-phase current			
protection class	house-proof according to IP 55			
recommended maximum flow rate	suction side 1 m/s		discharge side 3 m/s	
materials	PP		PVDF	
maximum temperature	65 °C		85 °C	
maximum system pressure at 20 °C	2.5 bar		3.5 bar	

\*\* Other voltages available upon request.

\*\*\* With maximum volume rate of flow. To deliver liquids with a higher relative density, the pump has to be throttled (see the following performance chart).



Position of the terminal box: standard position is on top (if you need it mounted on the right or the left, please indicate when placing your order).