

## Specifications of filter housings of type 8

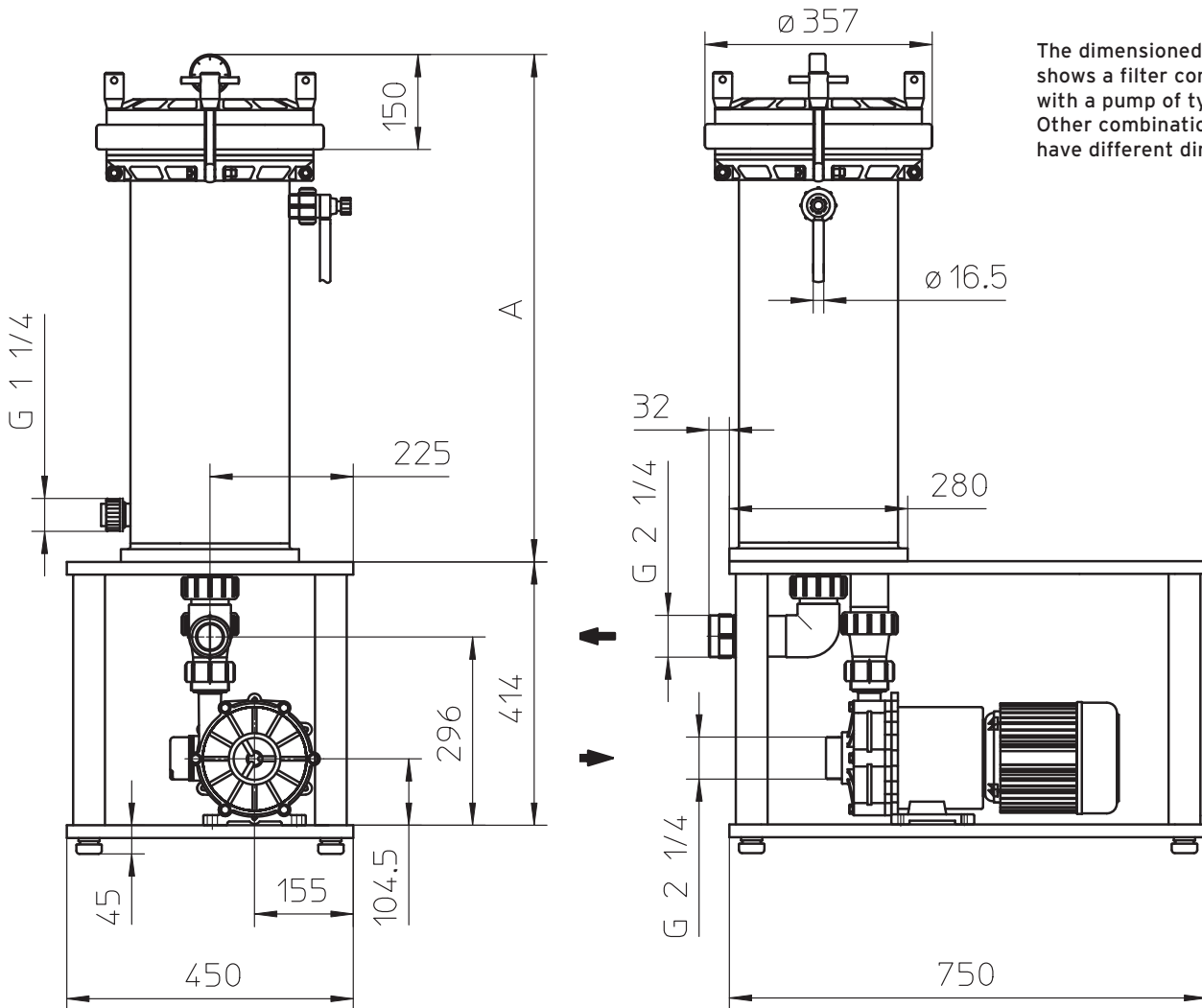
|   |   |                    |                     |                    |
|---|---|--------------------|---------------------|--------------------|
| Materials                                   | PP, PVDF, stainless steel, titanium               |                    |                     |                    |
| Gaskets                                     | EPDM, FKM, NBR, FEP coated                        |                    |                     |                    |
| Filter elements                             | Filter cartridges, plates, bags, activated carbon |                    |                     |                    |
| Housing length                              | 10"   | 20"                | 30"                 | 40"                |
| Number of cartridges                        | 8 x 10"   | 8 x 20"            | 8 x 30"             | 8 x 40"            |
| Number of filter plates                     | 26  | 51                 | 70                  | 89                 |
| Paper discs                                 | 25  | 50                 | 69                  | 88                 |
| Filtering surface of paper*                 | 0.73m <sup>2</sup>                                | 1.45m <sup>2</sup> | 2.01m <sup>2</sup>  | 2.56m <sup>2</sup> |
| Act. carbon canister                        | 9.5dm <sup>3</sup>                                | 15dm <sup>3</sup>  | 21.5dm <sup>3</sup> | 28dm <sup>3</sup>  |
| Housing volume<br>(without filter elements) | 12dm <sup>3</sup>                                 | 22dm <sup>3</sup>  | 32dm <sup>3</sup>   | 42dm <sup>3</sup>  |
| Dimension A (mm)                            | 552   | 806                | 1060                | 1314               |

\* The number of paper discs required and thus the filtering surface depend on the thickness of the paper used.

**Filter of type 8 for 8 filter cartridges combined with activated carbon filter of type 4 and pump of type RM4. Cartridge filtration with bypass filtration through activated carbon.**



# FILTER HOUSINGS OF TYPE 8



The dimensioned drawing shows a filter combined with a pump of type 4. Other combinations may have different dimensions.

