

MAGSON MA - size 5/5H

Magnetically coupled centrifugal pumps
made of plastics PP / ETFE



More than just pumps



MA type 5 / 5H

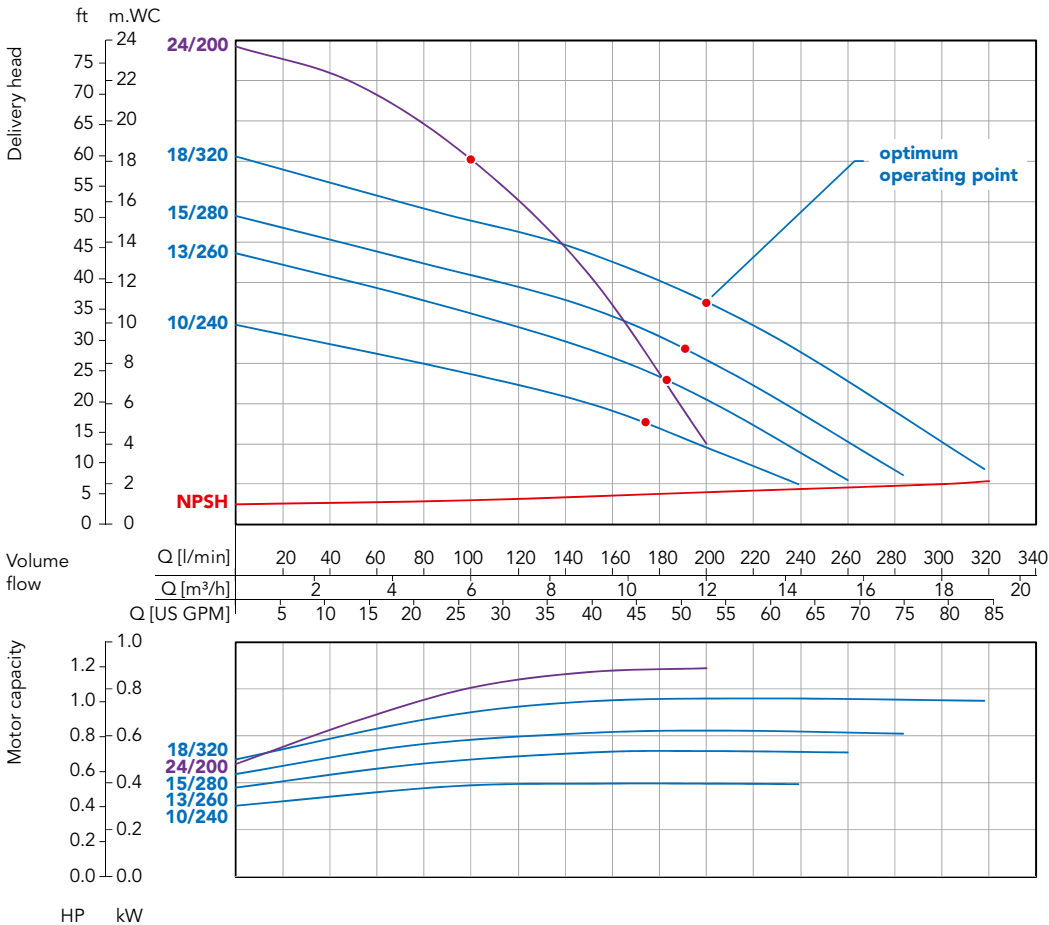


- execution with thread adapter
- without shaft seal
- streamlined spiral housing made of PP or ETFE
- volume flow of up to 320 l/min
- delivery head of up to 24 m.WC
- back pull-out



For all advantages of MAGSON pumps see page 9.

Characteristic curves



Technical data MA	type 5								type 5H
	10/240	13/260		15/280		18/320		24/200	
Material *	PP (glass-fibre reinforced) / ETFE (carbon-fibre reinforced)								
Max. delivery head in [m.WC] at 50 Hz	10	13		15		18		24	
Max. volume flow in [l/min] at 50 Hz	240	260		280		320		200	
Max. density in [g/cm ³] at 50 Hz **	1.8	1.3	2.0	1.2	1.7	1.0	1.5	1.25	
Motor capacity in [kW]	0.75	0.75	1.1	0.75	1.1	0.75	1.1	1.1	
Current rating (400 V, 50 Hz) in [A]	1.56	1.56	2.25	1.56	2.25	1.56	2.25	2.25	
Rated speed in [rpm] at 50 Hz / 60 Hz	3000 / 3600								
Suction port	DN 40 / 2 ¼"								DN 25 / G 1 ½"
Discharge port	DN 40 / G 2 ¼"								DN 25 / G 1 ½"
Voltage in [V]	230 V AC or 230 / 400 V three-phase AC								
Protection class	IP 55								
Max. flow velocity in [m/s]	suction side = 1 / discharge side = 3								
Max. temperature for PP / ETFE in [°C]	70 / 80								
Max. system pressure for PP / ETFE at 20 °C in [bar]	3.2								

* Material used for housing, impeller unit and rear casing: (sheath of inner magnet made of PP without fibre reinforcement)

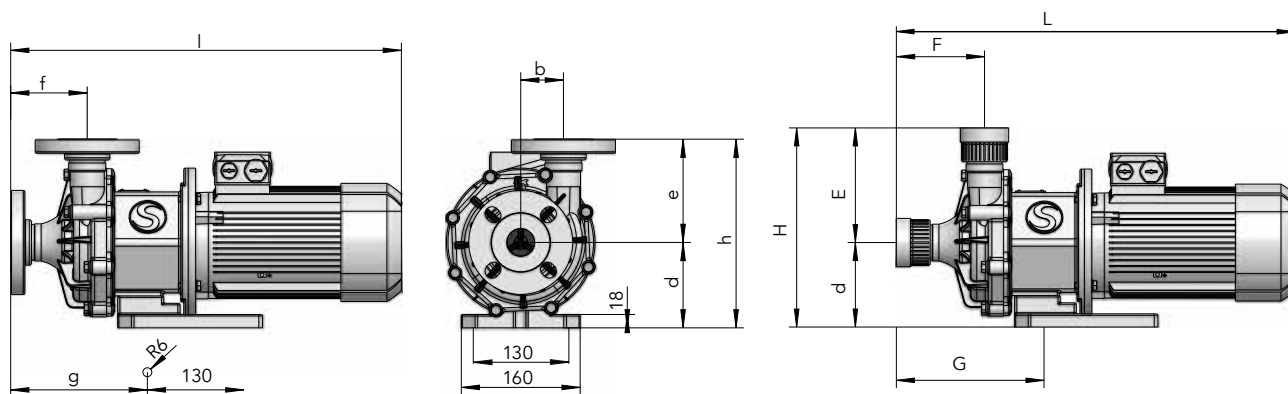
** approx. value at max. volume flow (higher density possible when flow rate is reduced)

Dimensions in [mm]	type 5								type 5H
	10/240	13/260		15/280		18/320		24/200	
Dimension b in [mm]	57.5								65
Dimension e in [mm] ***	139 / 147								145 / 148
Dimension f in [mm] ***	103 / 111								90 / 93
Dimension g in [mm] ***	184 / 192								173 / 176
Dimension H in [mm] ***	254 / 262								260 / 263
Dimension l in [mm]	491	491	526	491	526	491	526	516	
Dimension L in [mm]	499	499	534	499	534	499	534	519	

Motor dimensions may differ according to manufacture. *** Dimension with flanged execution / thread adapter

Flanged execution:

Execution with thread adapter:





More than just pumps

Today the FLUX name is recognised around the globe as the trademark for top standards in pump technology. Everything started with the invention of the electric drum pump in 1950. Nowadays FLUX has an extensive range of products each of which can be customized. FLUX pumps are used for example in the chemical and pharmaceutical industries; in machinery and plant engineering as well as companies in electroplating, effluent treatment and the foodstuffs sector.

Whether single-product or system solution – FLUX quality is synonymous with a long service life, excellent economy and maximum safety.

In addition to the excellent product quality FLUX customers appreciate the superb level of expertise our staff has to offer as well as their genuine customer focus.

These days FLUX-GERÄTE GMBH supplies pumps to almost 100 countries around the globe.

FLUX-GERÄTE GMBH

Process Pumps & Systems

August-Horch-Strasse 2 · D-51149 Cologne
P. O. Box 920101 · D-51151 Cologne

Phone +49 2203 9394-0

Fax +49 2203 9394-48

info-process@flux-pumpen.de

www.flux-pumps.com