

MA type 4/4H

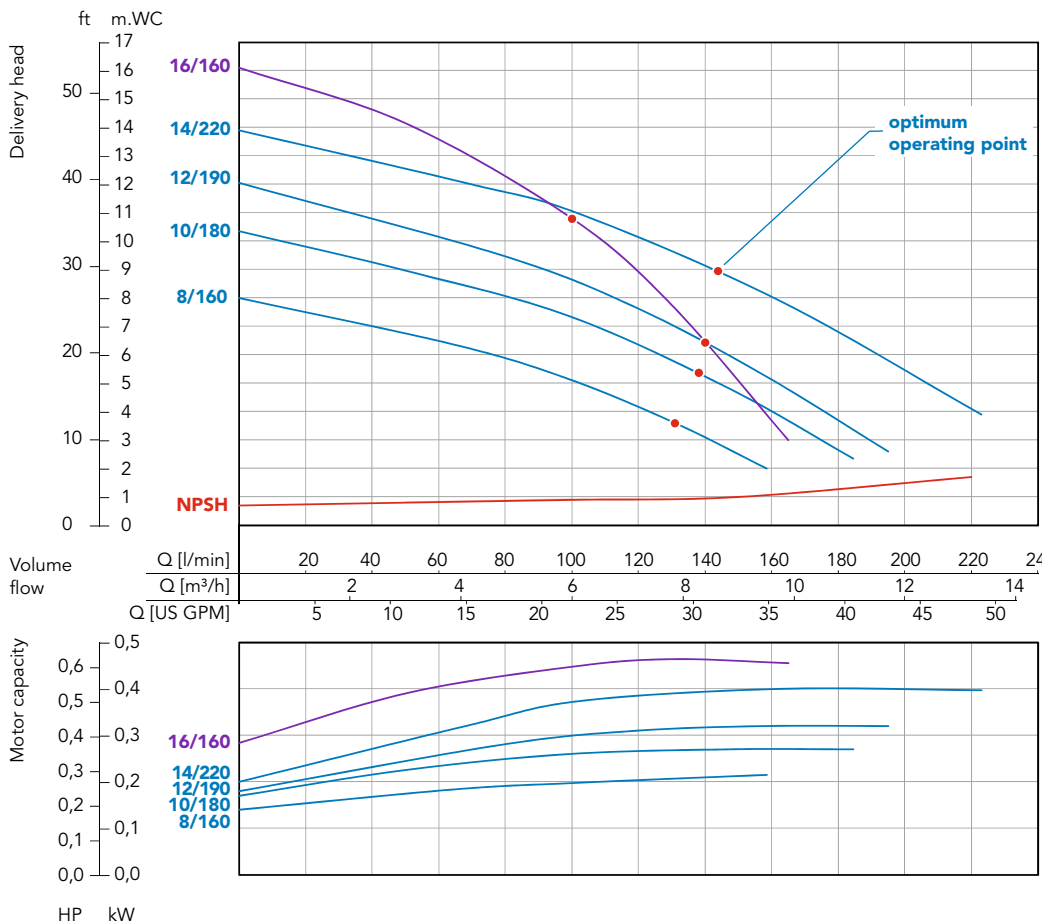


- execution with thread adapter
- without shaft seal
- streamlined housing made of PP or ETFE
- volume flow of up to 220 l/min
- delivery head of up to 16m.WC
- back pull-out



For all advantages of MAGSON pumps see page 9.

Characteristic curves



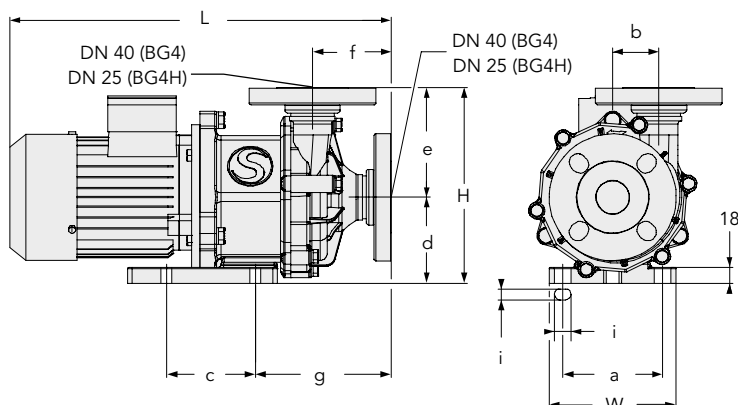
Technical data MA	Type 4								Type 4H
	8/160		10/180		12/190		14/220		16/160
Material*	PP (glass-fibre reinforced) / ETFE (carbon-fibre reinforced)								
Max. delivery head in [m.WC] at 50Hz	8		10		12		14		16
Max. volume flow in [l/min] at 50Hz	160		180		190		220		160
Max. density in [g/cm ³] at 50Hz**	1.7	2.6	1.3	2.0	1.15	1.7	0.9	1.4	1.15
Motor capacity in [kW]	0.37	0.55	0.37	0.55	0.37	0.55	0.37	0.55	0.55
Current rating (400V, 50Hz) in [A]	0.96	1.41	0.96	1.41	0.96	1.41	0.96	1.41	1.41
Rated speed in [rpm] at 50Hz/60Hz	3000/3600								
Suction port	DN 40 (alternative G 2 1/4")								DN 25***
Discharge port	DN 40 (alternative G 2 1/4")								DN 25***
Voltage in [V]	230V AC or 230/400V three-phase AC								
Protection class	IP 55								
Max. flow velocity in [m/s]	suction side = 1 / discharge side = 3								
Max. temperature for PP/ETFE in [°C]	70/80								
Max. system pressure for PP/ETFE at 20°C in [bar]	2.2								

* Material used for housing, impeller unit and rear casing: (sheath of inner magnet made of PP without fibre reinforcement)

** approx. value at max. volume flow (higher density possible when flow rate is reduced) *** alternative G 1 1/2"

Dimensions	Type 4				Type 4H
	8/160	10/180	12/190	14/220	16/160
Dimension a in [mm]	110				130
Dimension b in [mm]	51				65
Dimension c in [mm]	98				130
Dimension d in [mm]	95				115
Dimension e in [mm]	121				145
Dimension f in [mm]	87				90
Dimension g in [mm]	150				173
Dimension H in [mm]	216				260
Dimension i in [mm]	12–18				Ø12
Dimension L in [mm]	421				424
Dimension W in [mm]	140				160

Motor dimensions may differ according to manufacture.



Materials

You will find all materials available and their characteristics on page 8.

Accessories

such as frequency converters see page 11, thread adapter see page 10 and additional accessories see page 28.