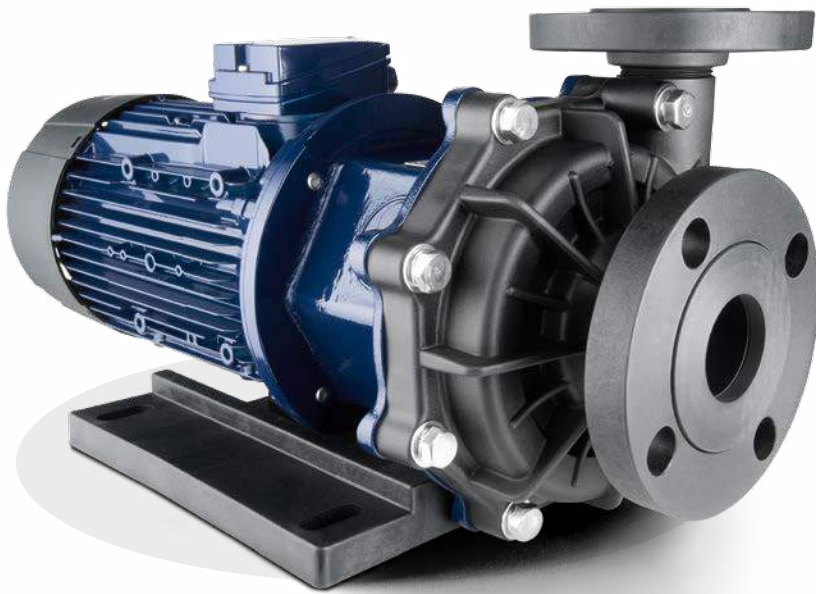


MA type 6/6H

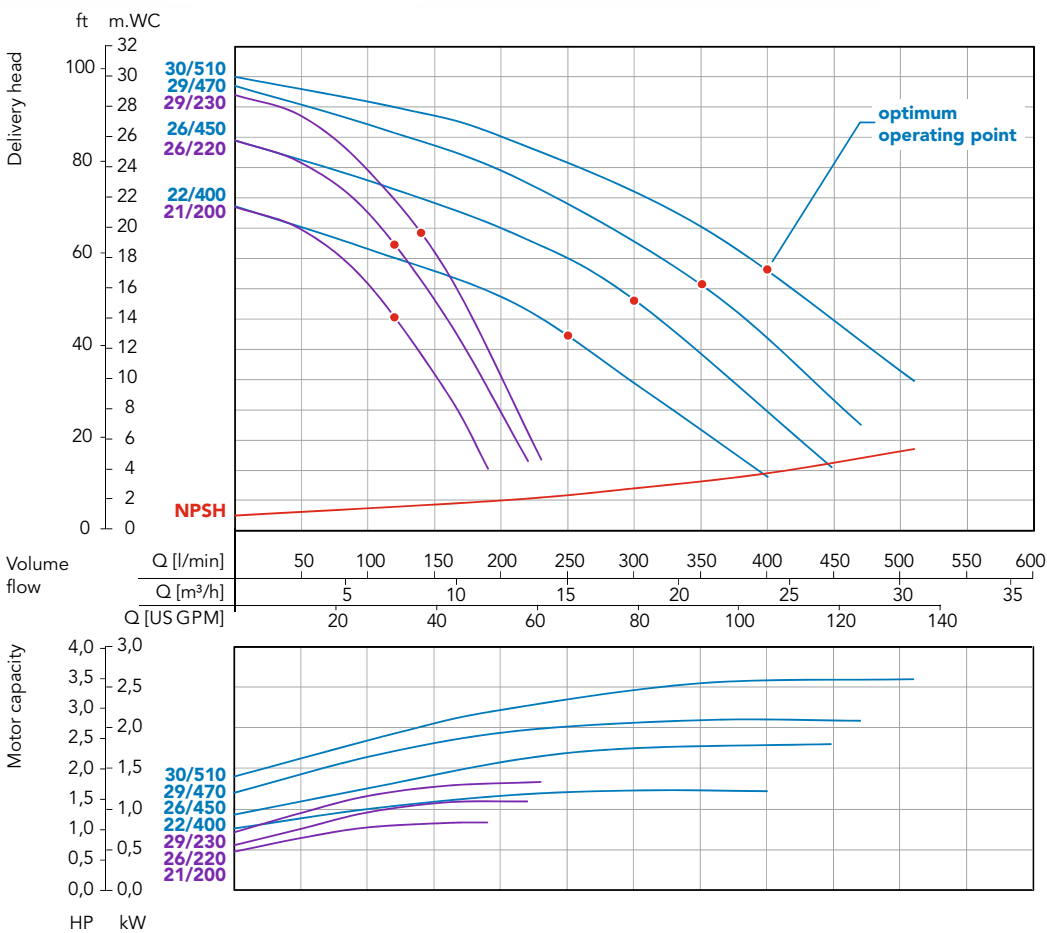


- execution with thread adapter
- without shaft seal
- streamlined spiral housing made of PP or ETFE
- volume flow of up to 510 l/min
- delivery head of up to 30m.WC
- back pull-out



For all advantages of MAGSON pumps see page 9.

Characteristic curves



Determined with water of 20°C; measured values ± 10%

Technical data MA

Size	Type 6						Type 6H		
	22/400		26/450	29/470	30/510		21/190	26/220	29/230
Material*	PP (glass-fibre reinforced) / ETFE (carbon-fibre reinforced)								
Max. delivery head in [m.WC] at 50Hz	22		26	29	30		21	26	29
Max. volume flow in [l/min] at 50Hz	400		450	470	510		190	220	230
Max. density in [g/cm ³] at 50Hz**	1.2	1.8	1.2	1.0	1.15	1.5	1.8	1.8	1.6
Motor capacity in [kW]	1.5	2.2	2.2	2.2	3	4	1.5	2.2	2.2
Current rating (400V, 50Hz) in [A]	3	4.2	4.2	4.2	5.6	7.3	3	4.2	4.2
Rated speed in [rpm] at 50Hz/60Hz	3000/3600								
Suction port	DN 50 (alternative G 2 3/4")						DN 25 (alternative G 1 1/2")		
Discharge port	DN 40 (alternative G 2 1/4")						DN 25 (alternative G 1 1/2")		
Voltage in [V]	230/400V three-phase AC								
Protection class	IP 55								
Max. flow velocity in [m/s]	suction side = 1 / discharge side = 3								
Max. temperature for PP/ETFE in [°C]	70/80								
Max. system pressure for PP/ETFE at 20°C in [bar]	5			6			6		

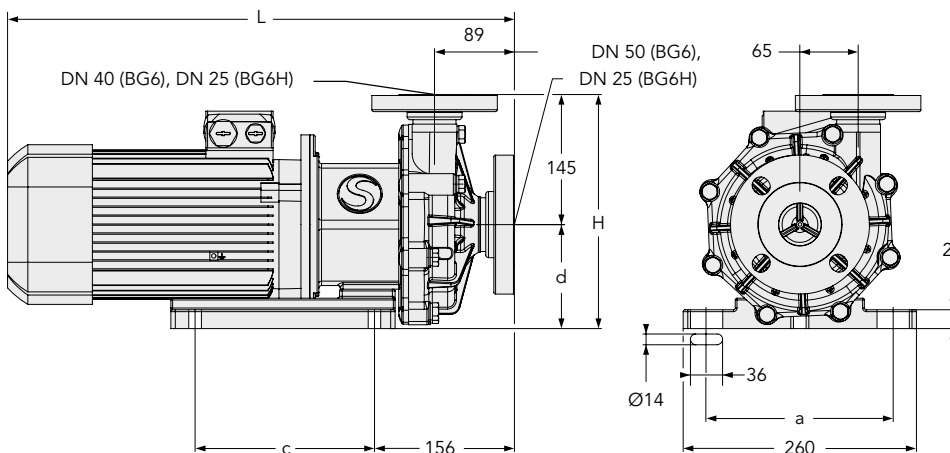
* Material used for housing, impeller unit and rear casing: (sheath of inner magnet made of PP without fibre reinforcement)

** approx. value at max. volume flow (higher density possible when flow rate is reduced)

Dimensions

Size	Type 6						Type 6H			
	22/400		26/450	29/470	30/510		21/190	26/220	29/230	
Dimension a in [mm]	208						230		208	
Dimension c in [mm]	200						261		200	
Dimension d in [mm]	116						135		116	
Dimension H in [mm]	261						280		261	
Dimension L in [mm]	525	565	565	565	619	602	525	565	565	

Motor dimensions may differ according to manufacture.


Materials

You will find all materials available and their characteristics on page 8.

Accessories

such as frequency converters see page 11, thread adapter see page 10 and additional accessories see page 28.

Fig.: MA pump type 6 with motor of up to 2.2kW