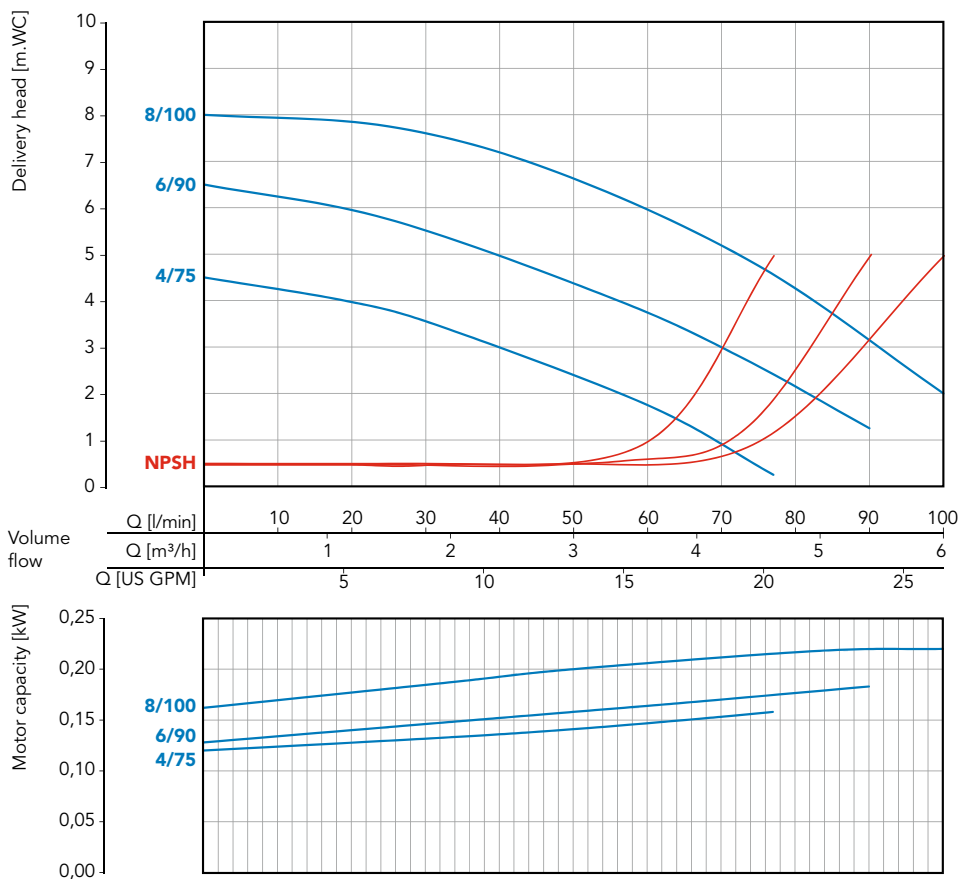


# MM type 1



- Without shaft seal
- Robust and casted casing
- CARTRIDGE UNIT for fast and easy maintenance
- Temperature up to 190°C (higher temperatures are possible)
- Close coupled, single stage, back-pullout-design
- Universal DIN/ANSI connection
- Suction port DN 25, discharge port DN 20

## Characteristic curve



Determined with water of 20°C;  
measured values ± 10%

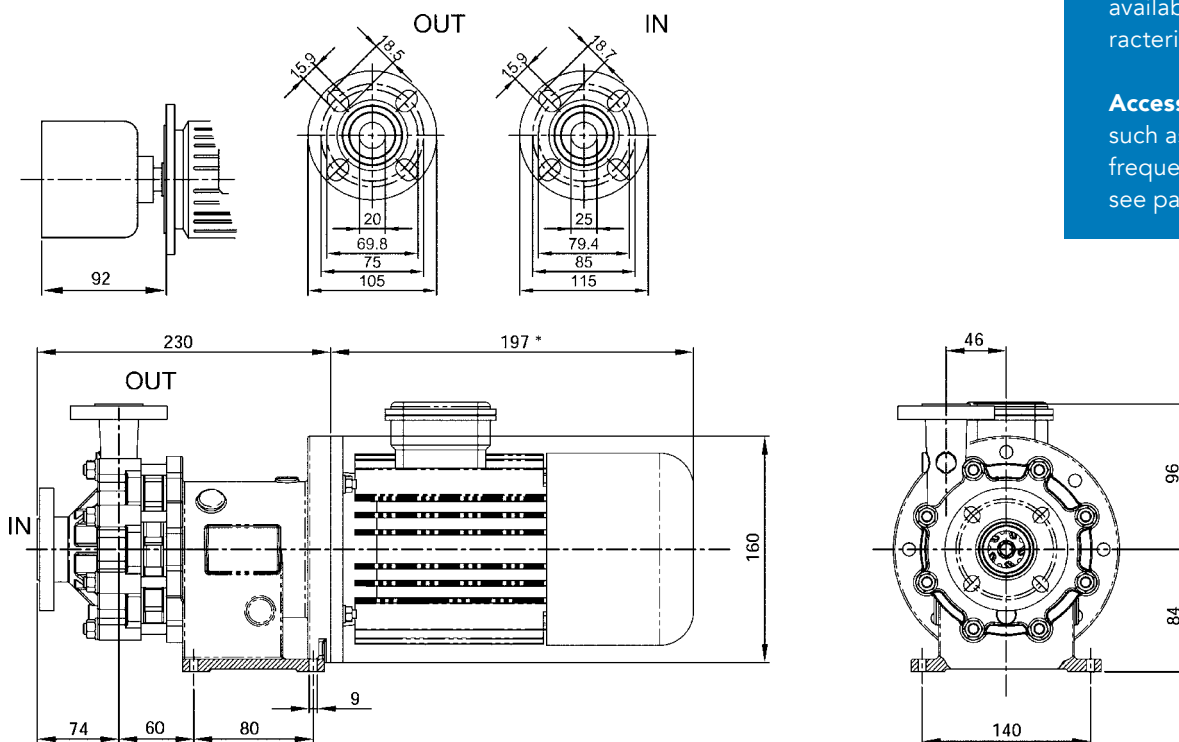
### Technical data MM type 1

Size	4/75		6/90		8/100	
Material	Stainless Steel 1.4401 (AISI 316)					
Max. delivery head in [m.WC] at 50Hz	4		6		8	
Max. volume flow in [l/min] at 50Hz	75		90		100	
Max. density in [g/cm <sup>3</sup> ] at 50Hz *	2.5	3.3	2	3	1.7	2.5
Motor capacity in [kW]	0.37	0.55	0.37	0.55	0.37	0.55
Current rating (400V, 50Hz) in [A] **	0.96	1.41	0.96	1.41	0.96	1.41
Rated speed in [rpm] at 50Hz	3000					
Suction port	DN 25					
Discharge port	DN 20					
Voltage in [V] ***	230 AC or 230/400 three-phase AC					
Protection class	IP 55					
Max. flow velocity in [m/s]	suction side = 1 / discharge side = 3					
Max. system pressure in [bar]	25/optional 50					
Max. temperature in [°C]	190/optional up to 300					

\* approx. at max. volume flow (higher density possible when flow rate is reduced) \*\* depends on motor supplier

\*\*\* other voltages on request

### Dimensions in [mm]



Motor dimensions may differ according to manufacture.



### Materials

You will find all materials available and their characteristics on page 4.

### Accessories

such as RPR control and frequency converters see pages 16.