



Delivery rate up to 30 l/min  
 Delivery head up to 4.9 (7.1) m wc  
 No shaft seal required  
 For aggressive and neutral liquids

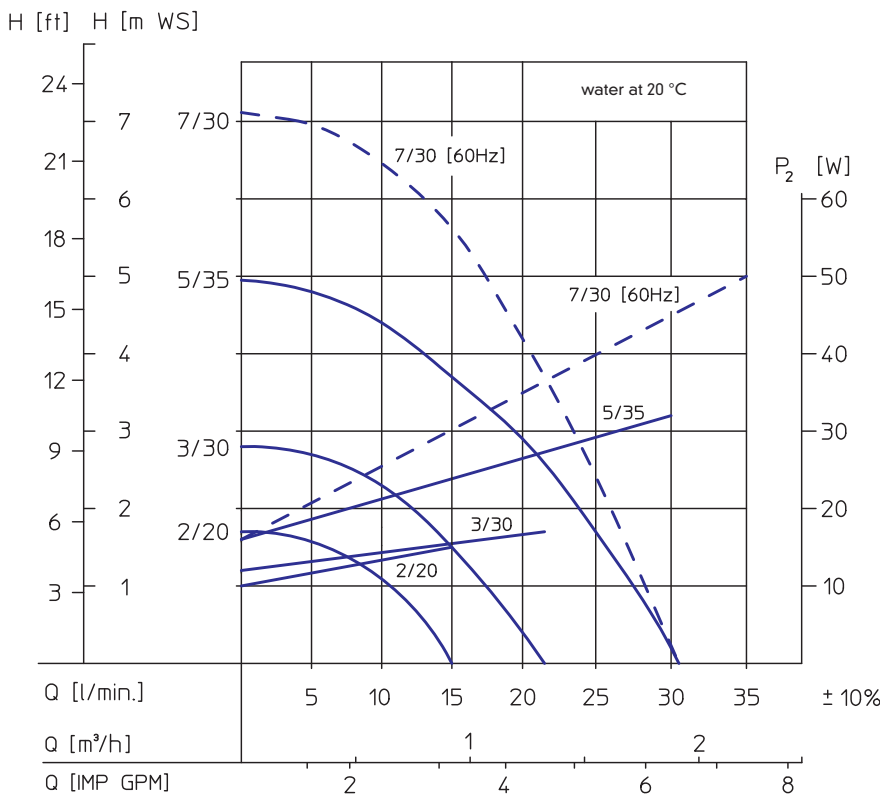
Made of PP, PVDF and stainless steel

Protection class IP 55

Figures in brackets ( ) apply to 60 Hz pump types.

Magnetically coupled centrifugal pumps of type 1 are non-self-priming pumps that operate in horizontal position and are made in monobloc design. A magnetic coupling connects the pump to the motor and transmits the power of the motor to the impeller.

PERFORMANCE CHARTS



STANDARD DESIGN

Housing, impeller and impeller magnet coating are made of glass-fibre re-inforced PP plastic or PVDF or stainless steel. Sleeve bearings, starting rings and centering shaft are made of 99.7 % pure oxide ceramic, and the O-ring sealing of the housing is made of either FKM or EPDM. (See table on page 7 for other materials.)

Speed at 50 Hz = 2850 min<sup>-1</sup>  
 Speed at 60 Hz = 3420 min<sup>-1</sup>

Please indicate the voltage and frequency desired when placing your order.



## NON-SELF-PRIMING RM – TYPE 1

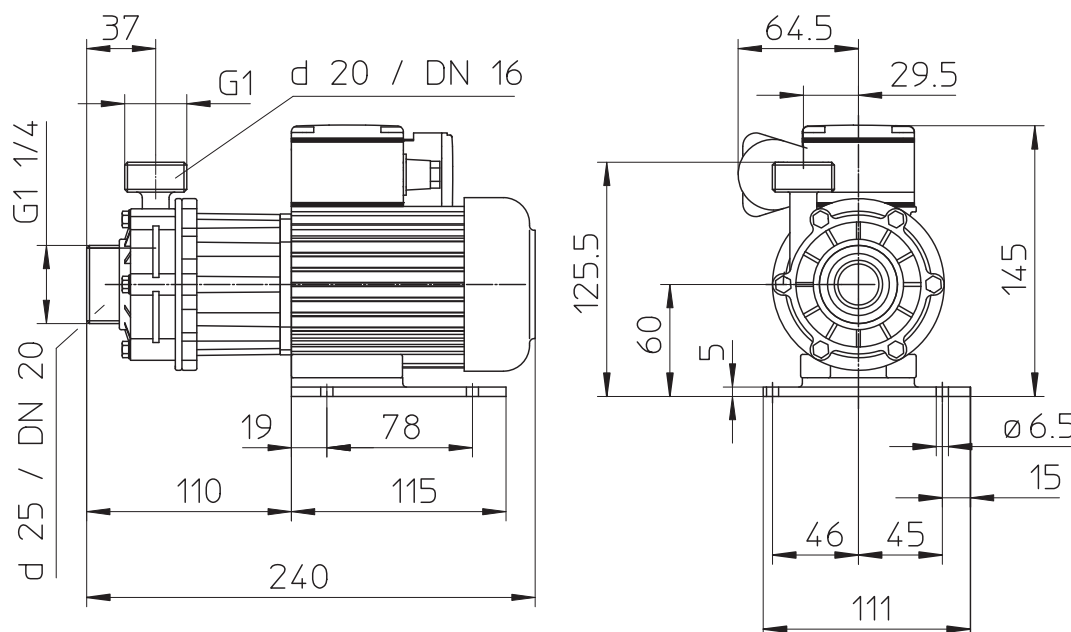
### TECHNICAL DATA

size	2/20	3/30	5/35	7/30*
maximum delivery rate [l/min]	15	20	30	30
maximum delivery head [m wc]	1.7	2.8	4.9	7.1
maximum density [g/cm <sup>3</sup> ] <sup>***</sup>	2.5	2.5	1.7	1.25
motor capacity at 50 Hz [kW]	0.060	0.060	0.060	–
motor capacity at 60 Hz [kW]	0.072	0.072	0.072	0.072
voltage**	230 V ac or 230/400 V three-phase current			
current rating	0.7 A with alternating current or 0.5/0.29 A with three-phase current			
protection class	hose-proof according to IP 55			
ports	suction side G 1 1/4		discharge side G 1	
recommended maximum flow rate	suction side 1 m/s		discharge side 3 m/s	
material	PP	PVDF	stainless steel	
maximum temperature	80 °C	95 °C	100 °C	
maximum system pressure at 20 °C	1.0 bar	2.0 bar	8.0 bar	
weight	2.7 kg	2.8 kg	3.4 kg	

\* Available only in 60 Hz.

\*\* Other voltages available upon request.

\*\*\* With maximum volume rate of flow. To deliver liquids with a higher relative density, the pump has to be throttled (see the following performance chart).



Position of the terminal box: standard position is on top (if you need it mounted on the right or the left, please indicate when placing your order).

Position of the discharge port: vertical position is standard (differing positions at 12 x 30° are possible, please indicate when placing your order).