



Delivery rate up to
118 (130) l/min

Delivery head up to 16 m WS
(type 2D as twin pump)

No shaft seal required

For aggressive and neutral
liquids

With non-ventilated motor so
that it is insensitive to vapour

Made of PP or PVDF

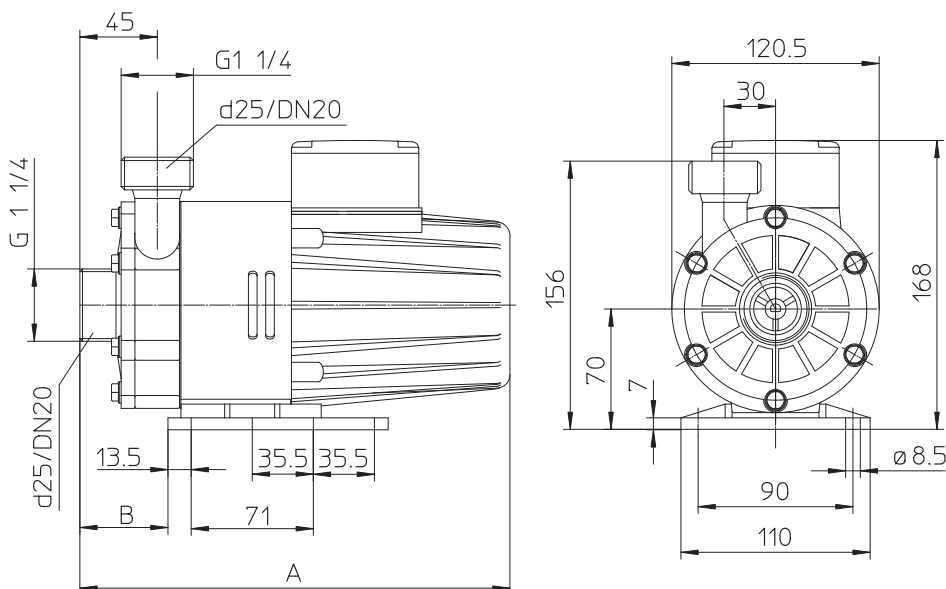
Protection class IP 55

Figures in brackets ()
apply to 60 Hz pump types.

size	5/50			7/40		8/60			10/100		10/110		12/130*
maximum delivery rate [l/min]	60			70		80			100		118		130
maximum delivery head [m wc]	5.0			6.5		7.3			8.4		9.5		12.0
maximum density [g/cm ³]**	1.2	2.2	2.5	1.3	2.5	1.0	1.45	2.0	1.0	1.4	0.8	1.1	1.0
motor capacity at 50 Hz [kW]	0.09	0.18	0.25	0.12	0.25	0.12	0.18	0.25	0.18	0.25	0.18	0.25	–
motor capacity at 60 Hz [kW]	0.108	0.216	0.30	0.14	0.30	0.14	0.216	0.30	0.216	0.30	0.216	0.30	0.37
current rating (400 V) [A]	0.35	0.65	0.65	0.45	0.65	0.45	0.65	0.65	0.65	0.65	0.65	0.65	1.02
rated speed at 50 Hz [min ⁻¹]	2850			2850		2850			2850		2850		–
rated speed at 60 Hz [min ⁻¹]	3440			3440		3440			3440		3440		3440
weight (approx.) [kg]	5.2	6.6	6.6	5.7	6.6	5.7	6.6	6.8	6.6	6.8	6.6	6.8	7.5
dimension A [mm]	235	250	265	250	265	250	265	265	265	265	265	265	310
dimension B [mm]	continuously adjustable from 20 to 45 mm												

* Available only in 60 Hz.

*** With maximum volume rate of flow. To deliver liquids with a higher relative density, the pump has to be throttled (see the following performance chart).



Position of the terminal box:
standard position is on top
(if you need it mounted on the
right or the left, please indicate
when placing your order).
Position of the discharge port:
vertical position is standard
(differing positions at 12 x 30°
are possible, please indicate
when placing your order).