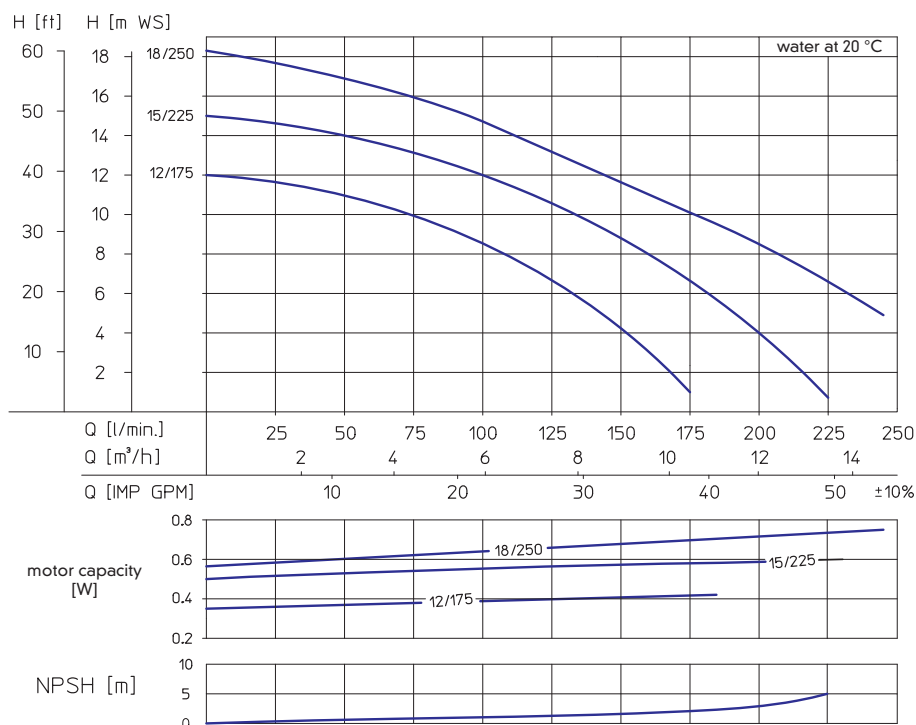




- Centrifugal pump with integrated priming tank
- Delivery rate up to 240 l/min
- Delivery head up to 18 m wc
- No shaft seal required
- For aggressive and neutral liquids
- Made of PP or PVDF
- Protection class IP 55

Magnetically coupled centrifugal pumps of the RMB type are self-priming pumps with integrated priming tanks. They are made of plastic, built in monobloc design and operate in horizontal position. A magnetic coupling connects the pump to the motor and transmits the power of the motor to the impeller.

PERFORMANCE CHARTS



STANDARD DESIGN

Housing, impeller and impeller magnet coating are made of glass-fibre reinforced PP plastic or PVDF. Sleeve bearings, starting rings and centering shaft are made of 99.7% pure oxide ceramic, and the O-ring sealing of the housing is made of either FKM or EPDM. (See table on page 7 for other materials.)

SELF-PRIMING RMB TYPE 3.1

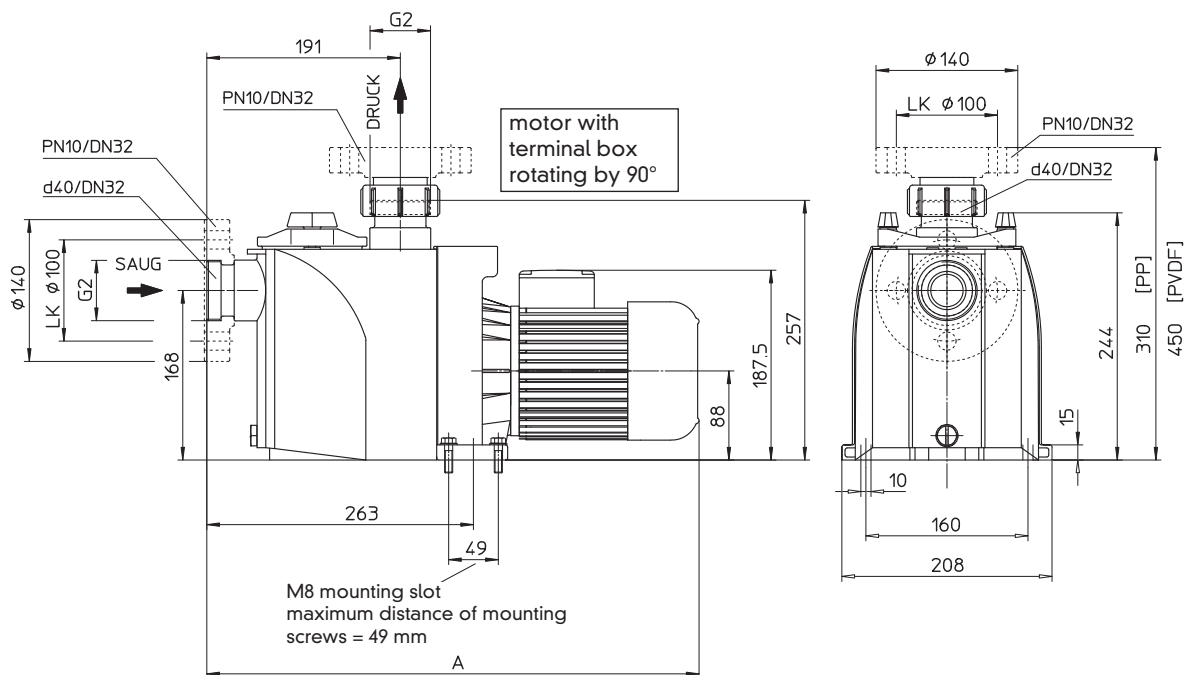


TECHNICAL DATA

size	12/175		15/225	18/250
maximum delivery rate [l/min]	175		225	240
maximum delivery head [m wc]	12		15	18
max. suction head at 20 °C [m wc]	3.0		3,5	1.0
maximum density [g/cm ³] ^{***}	1.3	1.8	1.2	1.0
motor capacity at 50 Hz [kW]	0.55	0.75	0.75	0.75
motor capacity at 60 Hz [kW]	0.66	0.9	0.9	0.9
current rating (400 V) [A]	1.6	2.2	2.2	2.2
rated speed at 50 Hz [min ⁻¹]	2800	2800	2800	2800
rated speed at 60 Hz [min ⁻¹]	3400	3400	3400	3400
parts suction side	G2	G2	G2	G2
ports discharge side	G2	G2	G2	G2
weight approx. [kg]	10	13	13	13
dimension A [mm]	490	500	500	500
voltage**	230 V ac or 230/400 V three-phase current			
protection class	house-proof according to IP 55			
recommended maximum flow rate	suction side 1 m/s		discharge side 3 m/s	
materials	PP		PVDF	
maximum temperature	65 °C		85 °C	
maximum system pressure at 20 °C	2.5 bar		3.5 bar	

** Other voltages available upon request.

*** With maximum volume rate of flow. To deliver liquids with a higher relative density, the pump has to be throttled (see the following performance chart).



Position of the terminal box: standard position is on top (if you need it mounted on the right or the left, please indicate when placing your order).