



Delivery rate up to 200 (230) l/min

Delivery head up to 23 (28) m wc

No shaft seal required

For aggressive and neutral liquids

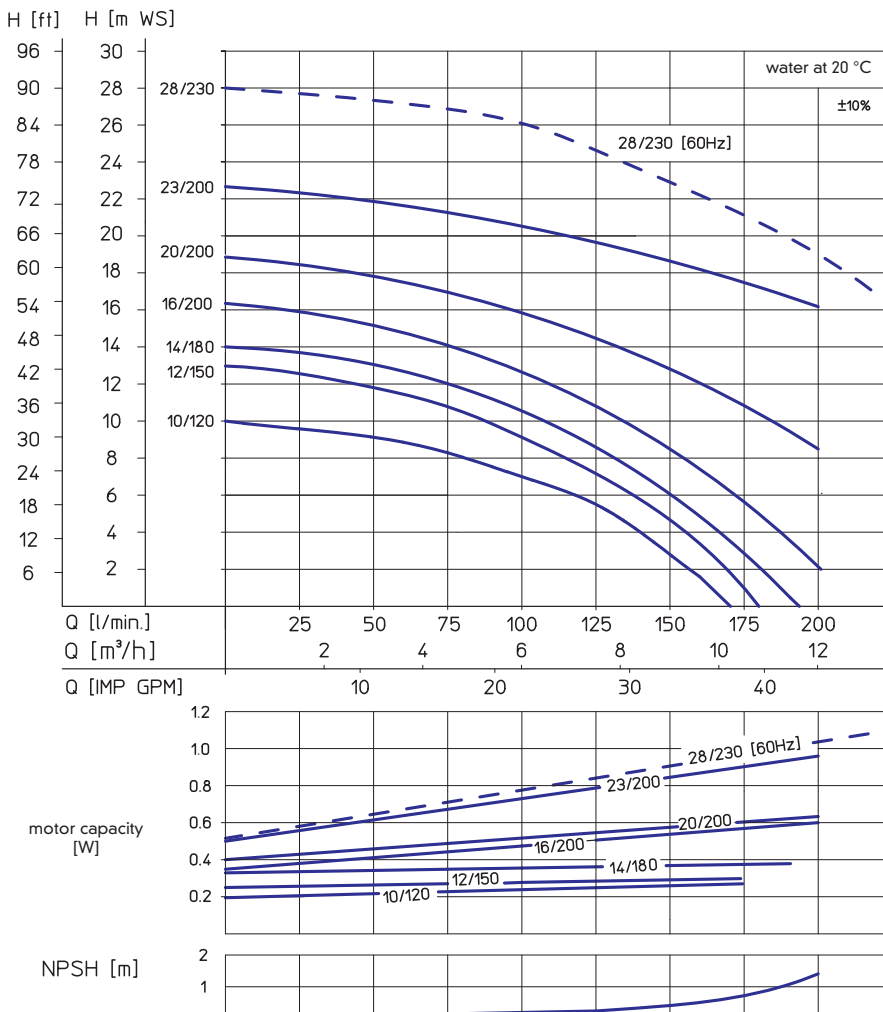
Made of PP or PVDF

Protection class IP 55

Figures in brackets ( ) apply to 60 Hz pump types.

Magnetically coupled centrifugal pumps of type 3 are non-self-priming pumps that operate in horizontal position and are made in monobloc design. A magnetic coupling connects the pump to the motor and transmits the power of the motor to the impeller.

PERFORMANCE CHARTS



STANDARD DESIGN

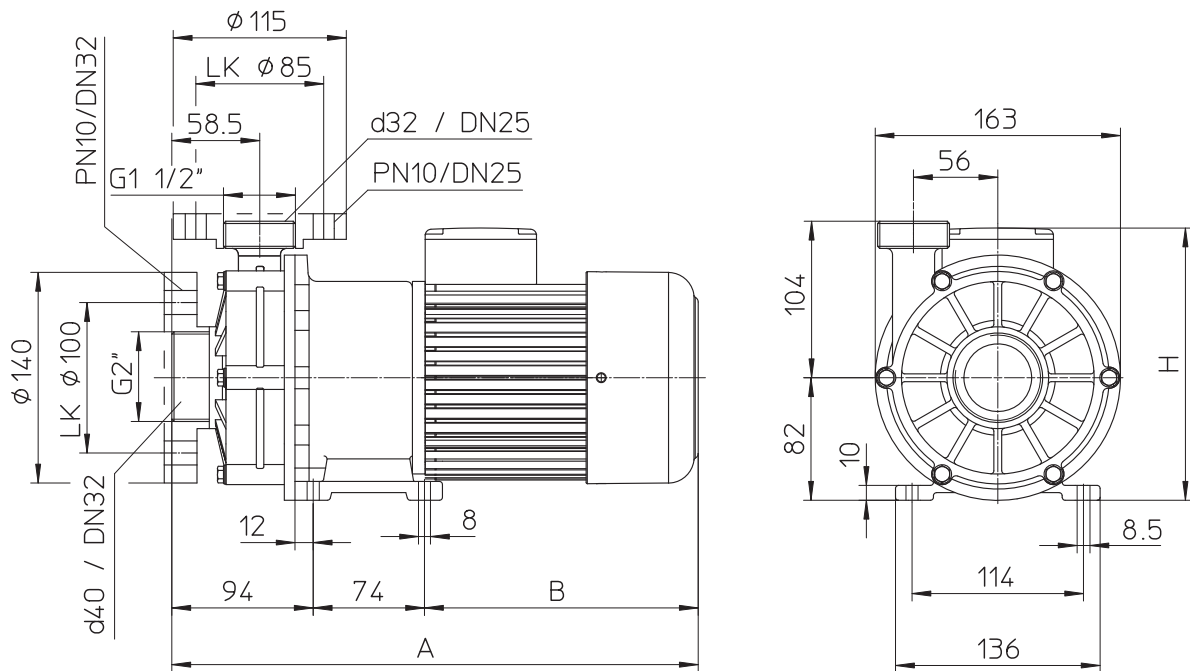
Housing, impeller and impeller magnet coating are made of glass-fibre reinforced PP plastic or PVDF or stainless steel. Sleeve bearings, starting rings and centering shaft are made of 99.7 % pure oxide ceramic, and the O-ring sealing of the housing is made of either FKM or EPDM. (See table on page 7 for other materials.)



TECHNICAL DATA

size	10/120	12/150		14/180		16/200		20/200		23/200	28/230*
maximum delivery rate [l/min]	160	175		190		200		200		200	230
maximum delivery head [m wc]	10	13.0		14.0		16.5		19.5		23.0	28
maximum density [g/cm <sup>3</sup> ] <sup>***</sup>	1.3	1.25	1.8	1.0	1.45	1.0	1.25	1.2	1.7	1.6	1.5
motor capacity at 50 Hz [kW]	0.37	0.37	0.55	0.37	0.55	0.55	0.75	0.75	1.1	1.5	–
motor capacity at 60 Hz [kW]	0.44	0.44	0.66	0.44	0.66	0.66	0.9	0.9	1.32	1.8	1.8
current rating (400 V) [A]	1.02	1.02	1.6	1.02	1.6	1.6	2.2	2.2	2.8	3.25	3.25
rated speed at 50 Hz [min <sup>-1</sup> ]	2900	2900		2900		2900		2900		2900	–
rated speed at 60 Hz [min <sup>-1</sup> ]	3440	3440		3440		3440		3440		3440	3440
dimension A [mm]	350	350	366	350	366	366	366	366	385	400	400
dimension B [mm]	182	182	198	182	198	198	198	198	216	230	230
dimension H [mm]	181	181	181	181	181	181	181	181	181	205	205
weight (PP/PVDF approx.) [kg]	9.4	9.4	9.5	9.4	9.5	9.5	11.4	11.4	11.8	14.5	15.0
voltage**	230 V ac or 230/400 V three-phase current										
protection class	hose-proof according to IP 55										
ports	suction side G 2						discharge side G 1 1/2				
recommended maximum flow rate	suction side 1 m/s						discharge side 3 m/s				
material	PP				PVDF				stainless steel		
maximum temperature	80 °C				95 °C				100 °C		
maximum system pressure at 20 °C	2.5 bar				3.5 bar				8.0 bar		

- \* Available only in 60 Hz.
- \*\* Other voltages available upon request.
- \*\*\* With maximum volume rate of flow. To deliver liquids with a higher relative density, the pump has to be throttled (see the following performance chart).



Position of the terminal box: standard position is on top (if you need it mounted on the right or the left, please indicate when placing your order).  
 Position of the discharge port: vertical position is standard (differing positions at 12 x 30° are possible, please indicate when placing your order).