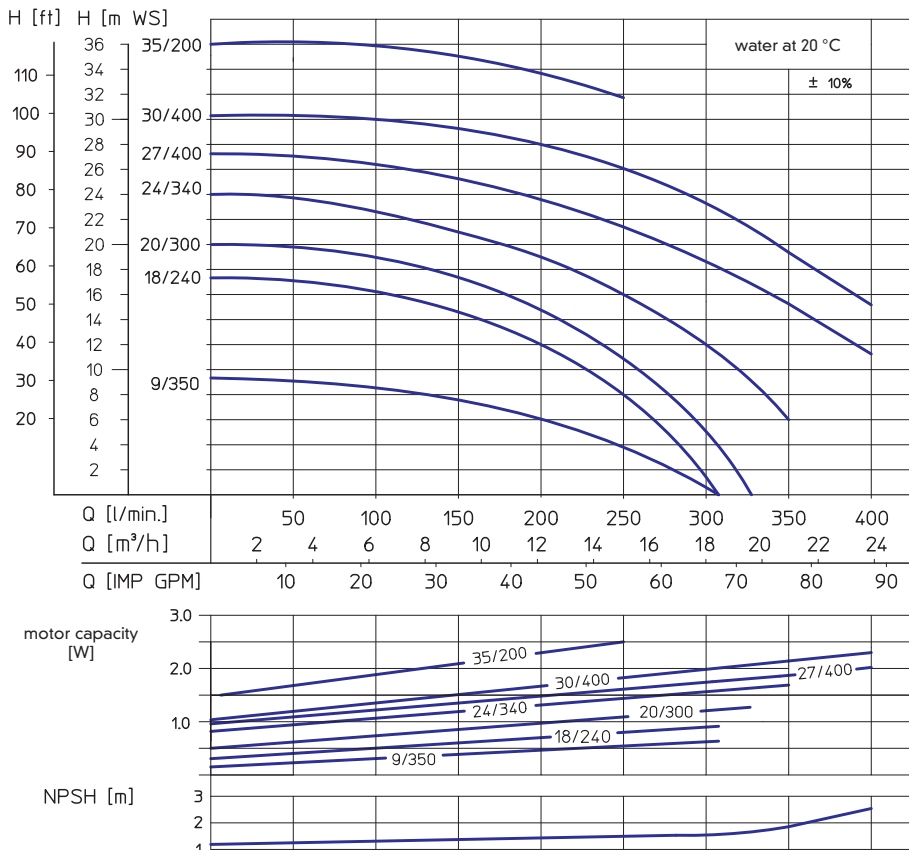




- Delivery rate up to 400 l/min
- Delivery head up to 36 m wc
- No shaft seal required
- For aggressive and neutral liquids
- Made of PP, PVDF and stainless steel
- Protection class IP 55

Magnetically coupled centrifugal pumps of type 4 are non-self-priming pumps that operate in horizontal position and are made in monobloc design. A magnetic coupling connects the pump to the motor and transmits the power of the motor to the impeller.

PERFORMANCE CHARTS



STANDARD DESIGN

Housing, impeller and impeller magnet coating are made of glass-fibre reinforced PP plastic or PVDF or stainless steel. Sleeve bearings, starting rings and centering shaft are made of 99.7 % pure oxide ceramic, and the O-ring sealing of the housing is made of either FKM or EPDM. (See table on page 7 for other materials.)

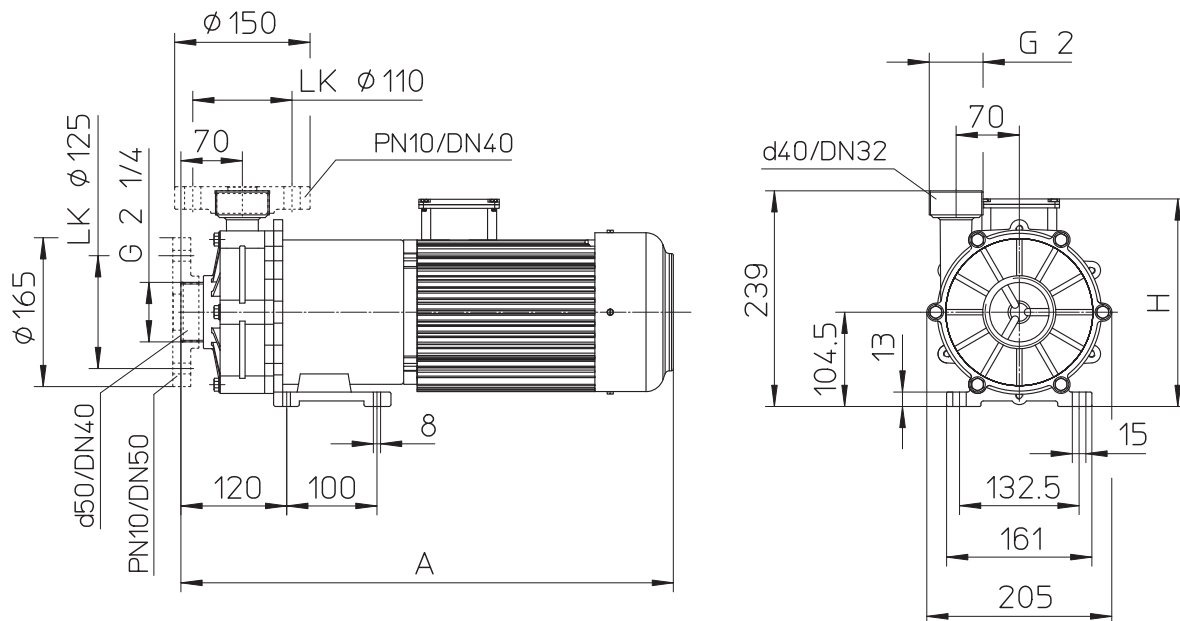


TECHNICAL DATA

size	9/350		18/240		20/300		24/340		27/400			30/400		35/200	
maximum delivery rate [l/min]	305	310		325		350		400			400		250		
maximum delivery head [m wc]	9.0	17.5		20		24.0		27			30		36		
maximum density [g/cm ³] ^{***}	1.25	0.8	1.25	1.6	1.0	1.2	1.0	1.4	1.1	1.5	1.9	1.3	1.8	1.2	1.6
motor capacity at 50 Hz [kW]	0.75	0.75	1.1	1.5	1.1	1.5	1.5	2.2	2.2	3.0	4.0	3.0	4.0	3.0	4.0
motor capacity at 60 Hz [kW]	0.9	0.9	1.32	1.8	1.32	1.8	1.8	2.64	2.64	3.6	4.8	3.6	4.8	3.6	4.8
current rating (400 V) [A]	2.1	2.2	2.8	3.25	2.8	3.25	3.25	4.75	4.75	6.2	8.1	6.2	8.1	6.2	8.1
rated speed at 50 Hz [min ⁻¹]	1450	2900		2900		2900		2900			2900		2900		
rated speed at 60 Hz [min ⁻¹]	1750	3440		3440		3440		3440			3440		3440		
dimension A [mm]	430	400	457	474	457	474	474	530	530	580	580	580	580	580	600
dimension H [mm]	227	220	220	220	220	220	220	230	230	258	258	258	258	258	258
weight (PP/PVDF approx.) [kg]	17.0	13.0	15.5	18.0	15.5	180	18.0	27.5	27.5	29.0	31.0	29.0	31.0	29.0	31.0
voltage**	230 V ac or 230/400 V three-phase current														
protection class	hose-proof according to IP 55														
ports	suction side G 2 1/4							discharge side G 2							
recommended maximum flow rate	suction side 1 m/s							discharge side 3 m/s							
material	PP					PVDF					stainless steel				
maximum temperature	80 °C					95 °C					100 °C				
maximum system pressure at 20 °C	5.0 bar					6.0 bar					10.0 bar				

** Other voltages available upon request.

*** With maximum volume rate of flow. To deliver liquids with a higher relative density, the pump has to be throttled (see the following performance chart).



Position of the terminal box: standard position is on top (if you need it mounted on the right or the left, please indicate when placing your order).
 Position of the discharge port: vertical position is standard (differing positions at 12 x 30° are possible, please indicate when placing your order).