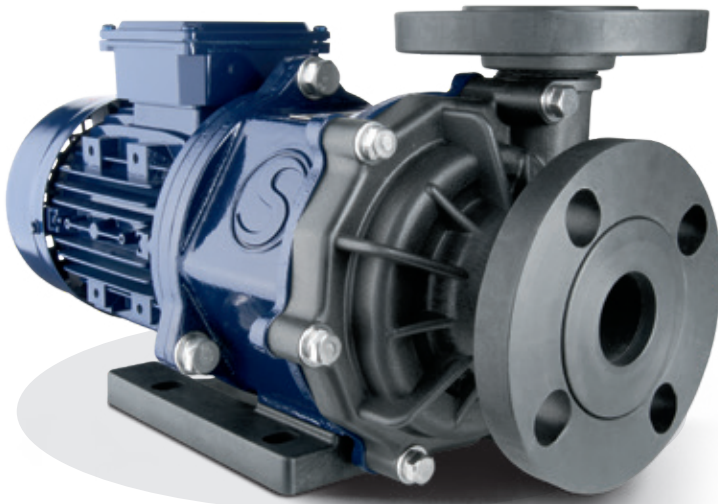


# MA types 4/4H

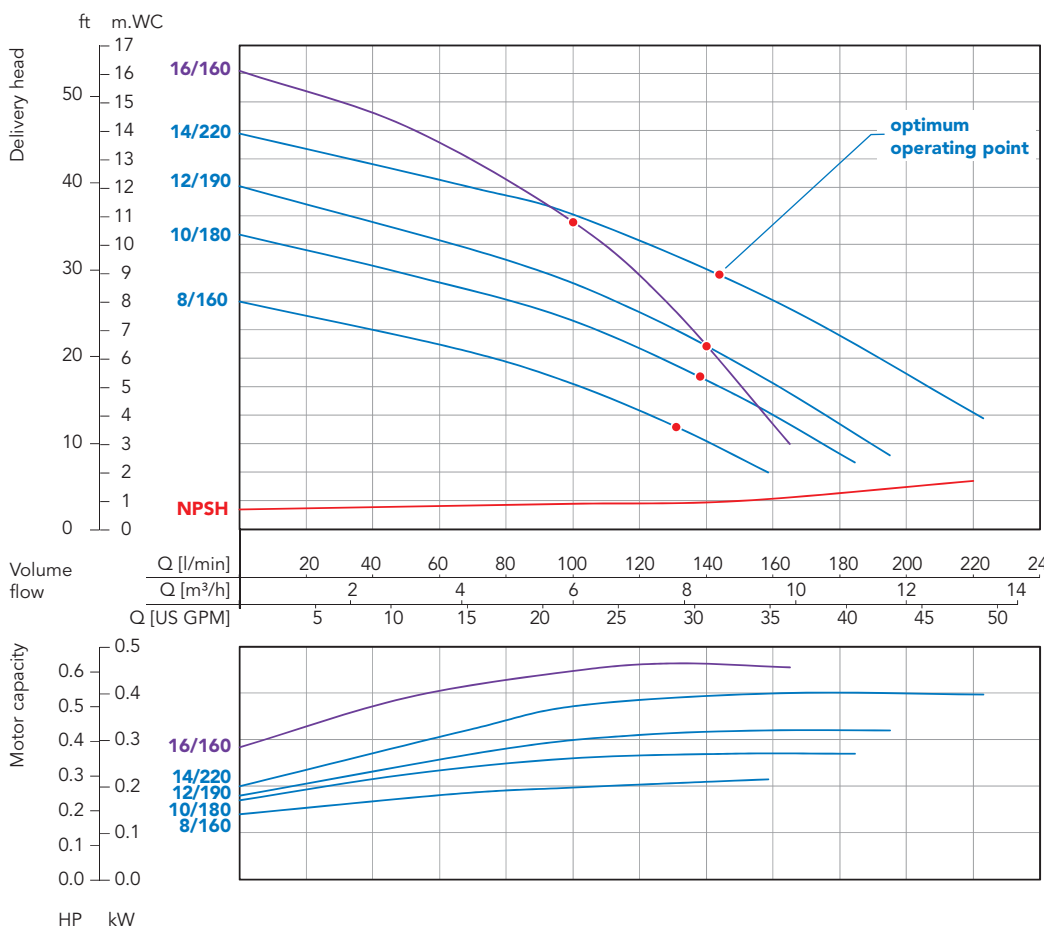


- execution with thread adapter
- without shaft seal
- streamlined housing made of PP or ETFE
- volume flow of up to 220l/min
- delivery head of up to 16m.WC
- back pull-out



For all advantages of MAGSON pumps see page 9.

## Characteristic curves



Determined with water of 20°C; measured values ± 10%

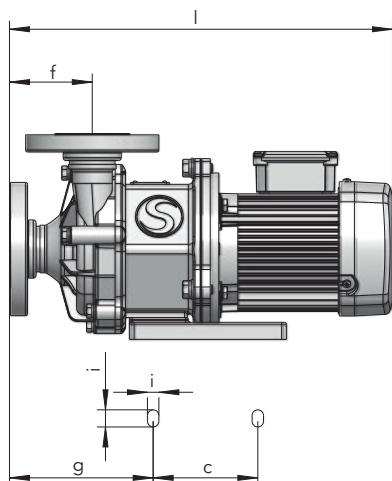
Technical data MA	type 4								type 4H
	8/160		10/180		12/190		14/220		16/160
Material*	PP (glass-fibre reinforced) / ETFE (carbon-fibre reinforced)								
Max. delivery head in [m.WC] at 50Hz	8		10		12		14		16
Max. volume flow in [l/min] at 50Hz	160		180		190		220		160
Max. density in [g/cm <sup>3</sup> ] at 50Hz**	1.7	2.6	1.3	2.0	1.15	1.7	0.9	1.4	1.15
Motor capacity in [kW]	0.37	0.55	0.37	0.55	0.37	0.55	0.37	0.55	0.55
Current rating (400V, 50Hz) in [A]	0.96	1.41	0.96	1.41	0.96	1.41	0.96	1.41	1.41
Rated speed in [rpm] at 50Hz/60Hz	3000/3600								
Suction port***	DN 40 / G 2 1/4"								DN 25/G 1 1/2"
Discharge port ***	DN 40 / G 2 1/4"								DN 25/G 1 1/2"
Voltage in [V]	230V AC or 230/400V three-phase AC								
Protection class	IP 55								
Max. flow velocity in [m/s]	suction side = 1 / discharge side = 3								
Max. temperature for PP/ETFE in [°C]	70/80								
Max. system pressure for PP/ETFE at 20°C in [bar]	2.2								

\* Material used for housing, impeller unit and rear casing: (sheath of inner magnet made of PP without fibre reinforcement)  
 \*\* approx. value at max. volume flow (higher density possible when flow rate is reduced)

Dimensions in [mm]	type 4				type 4H
	8/160	10/180	12/190	14/220	16/160
Dimension a in [mm]	110				130
Dimension b in [mm]	51				65
Dimension c in [mm]	98				130
Dimension d in [mm]	95				115
Dimension e / E in [mm] ***	121 / 129				145 / 148
Dimension f / F in [mm] ***	87 / 104				90 / 107
Dimension g / G in [mm] ***	150 / 158				173 / 176
Dimension h / H in [mm] ***	216 / 224				260 / 263
Dimension i in [mm]	12-18				Ø 12
Dimension l / L in [mm]	421 / 438				424 / 441
Dimension W in [mm]	140				160

Motor dimensions may differ according to manufacture. \*\*\* Dimension with flanged execution / thread adapter

#### Flanged execution:



#### Execution with thread adapter:

