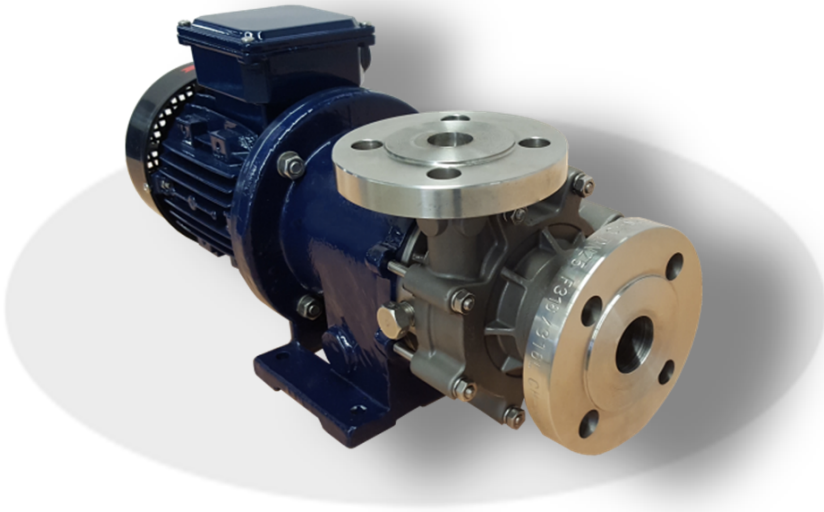
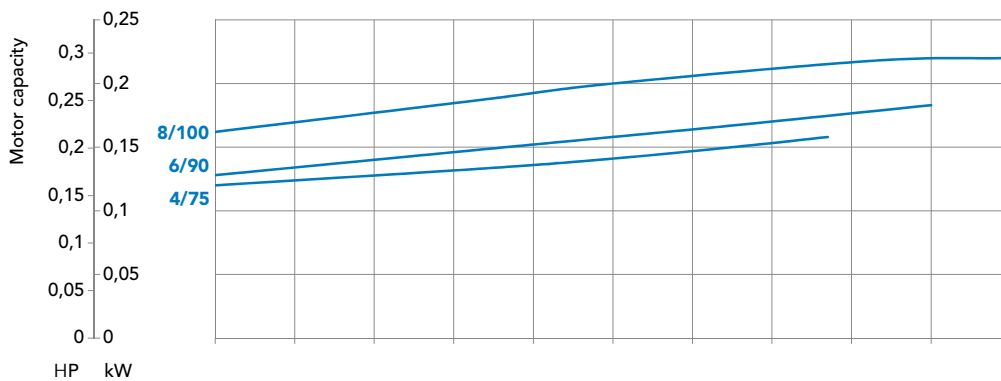
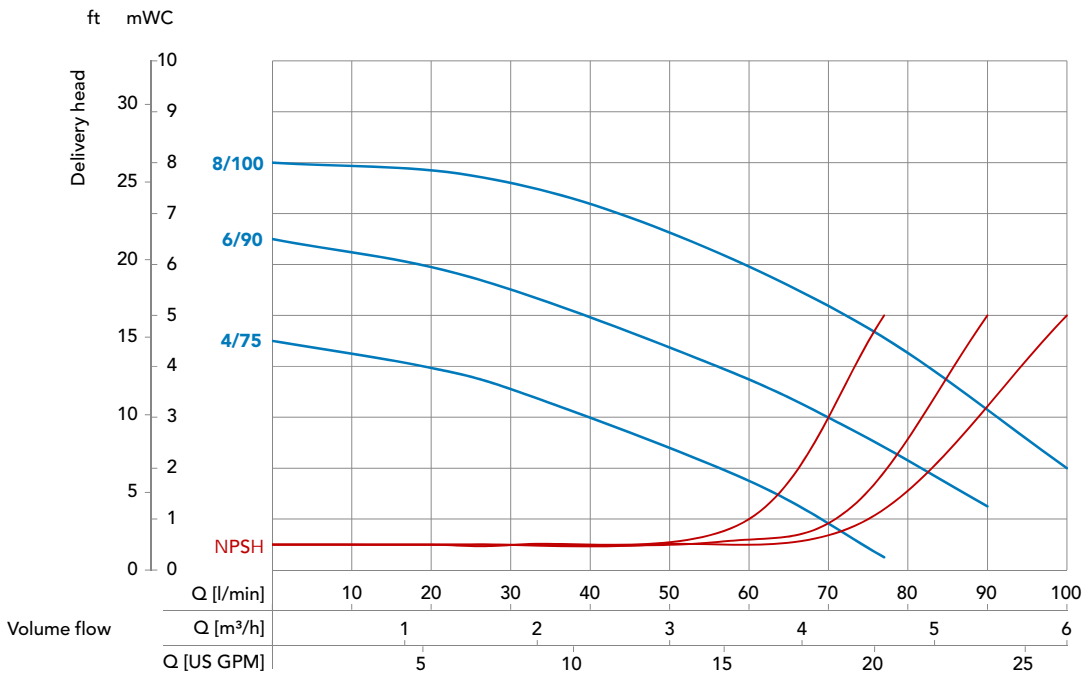


MM pump type 1



- Without shaft seal
- Robust and casted casing
- CARTRIDGE UNIT for fast and easy maintenance
- Temperature up to 120°C (higher temperatures are possible)
- Close coupled, single stage, back-pullout-design
- Universal DIN/ANSI connection
- Suction port DN25
- Discharge port DN20

Characteristic curve



Technical Data MM BG1

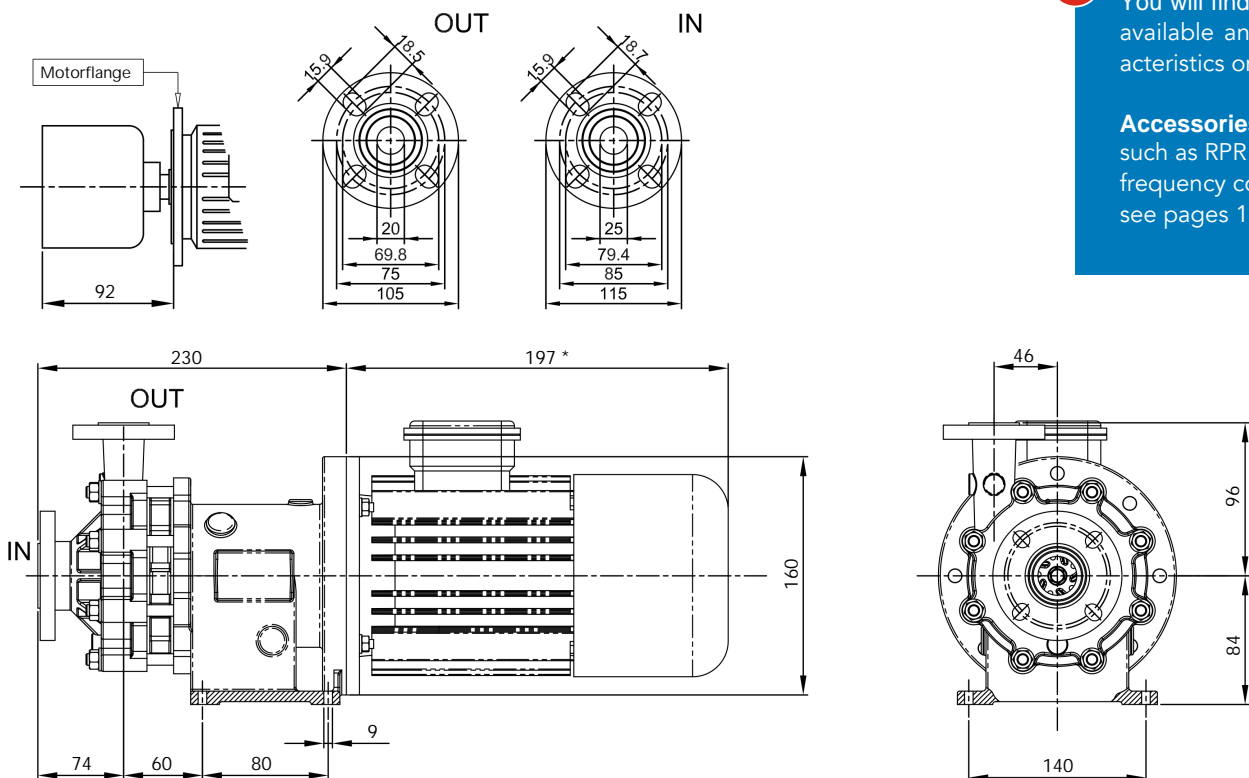
Type	4/75		6/90		8/100	
Material	Stainless Steel 1.4401 (AISI 316)					
Max. delivery head [mWC] 50 Hz	4		6		8	
Max. volume flow in [l/min] 50Hz	75		90		100	
Max. density in [g/cm ³] 50 Hz *	2,5	3,3	2	3	1,7	2,5
Motor capacity [kW]	0,37	0,55	0,37	0,55	0,37	0,55
Current rating (400V, 50Hz) [A] **	0,96	1,41	0,96	1,41	0,96	1,41
Rated speed in [rpm] 50 Hz	3000					
Suction port	DN25					
Discharge port	DN20					
Voltage in [V] ***	230/400					
Protection class	IP55					
Max. flow velocity [m/s]	Suction side 1 / discharge side 3					
Max. system pressure [bar]	25 / optional 50					
Max. Temperature [°C]	120 / optional up to 300					

* approx. at max. volume flow (higher density possible when flow rate is reduced)

** depends on motor supplier

*** other voltages on request

Dimensions [mm]



* Motor dimensions may differ according to manufacture.



Materials

You will find all materials available and their characteristics on page 4.

Accessories

such as RPR control and frequency converters see pages 16 to 17.